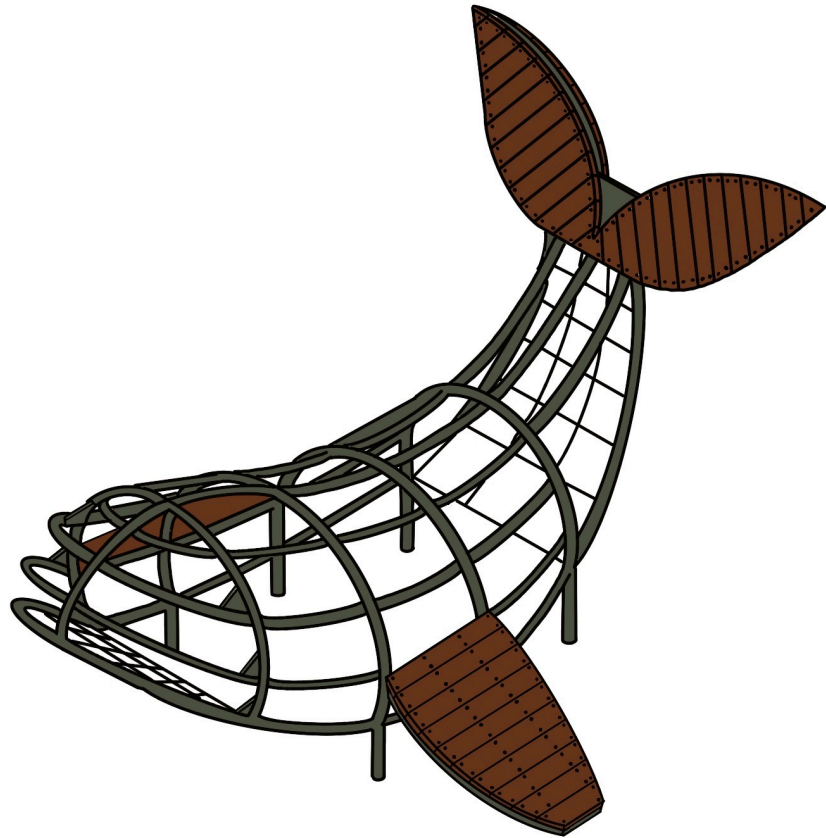


# Whale

DG0207

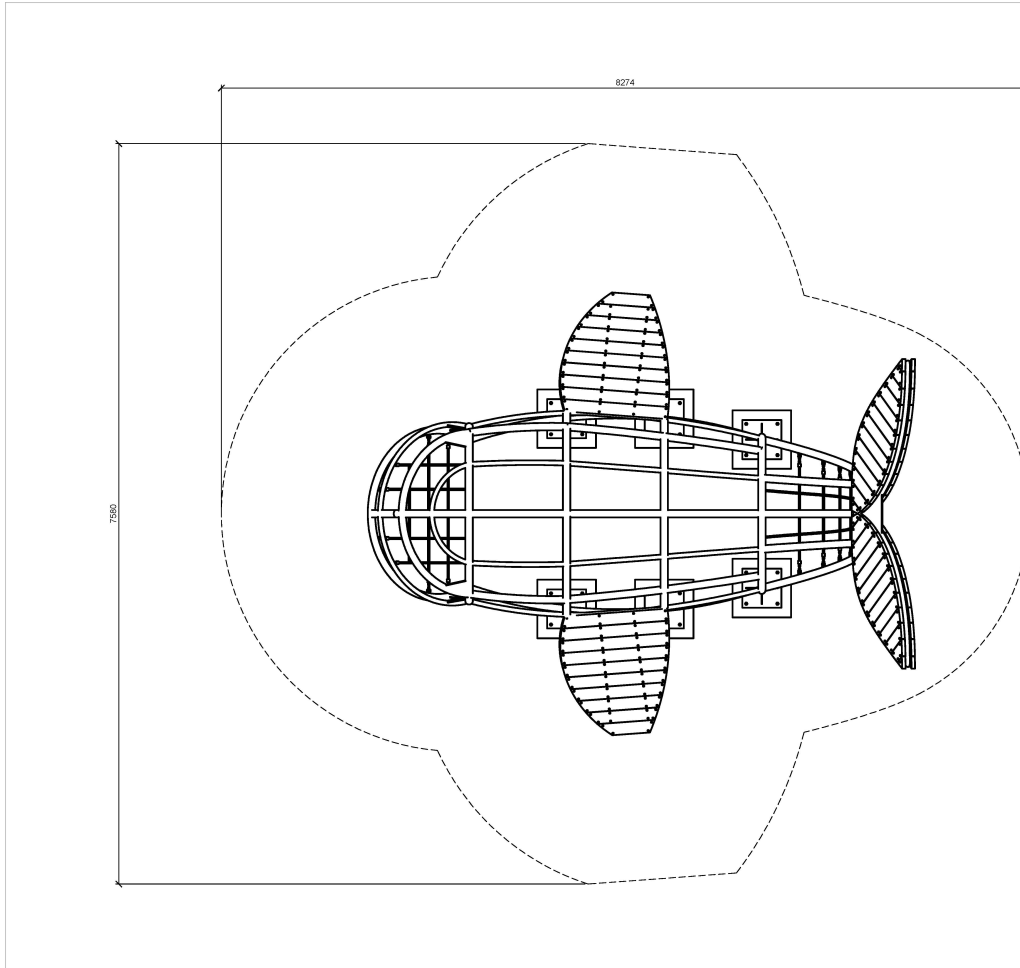


## Specifications

Fallzone Area	62.7 m <sup>2</sup>
Structure	Timber & steel
Max Fall Height	Approx. 2300 mm
Max Height	Approx. 3200 mm
Number Of Users	15–20
Total Space Required	62.7 m <sup>2</sup>
Age Range	5+
Length Width Height	8274 mm x 7580 mm x 3200 mm

# Whale

DG0207



**NOTES**

1. This drawing is copyright and may not be reproduced without the permission of CHSdscapes
2. This drawing is to be scaled
3. All dimensions to be checked on site and any discrepancies reported to the designer before work commences

REV	DESCRIPTION	BY	DATE

P=PRELIMINARY T=TRADE  
C=CONSTRUCTION

PROJECT

TITLE  
**WHALE  
DG0207**

CLIENT

---



**DG Play**  
PO Box 1014  
122 Dandenong St,  
Dandenong South  
Phone: 0822 184 116  
Email: dg@dgplay.com.au  
web: dgplay.com.au

DRAWN | CHECKED | DATE

GT | DH | A3 | AS NOTED

SCALE

DATE

**PRELIMINARY**

PROJECT | DRAWING | REV

A01 | P1

