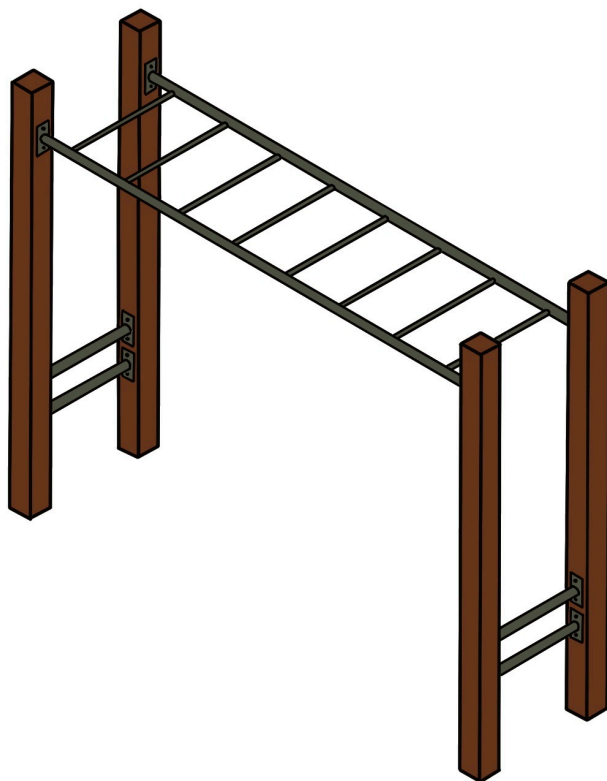


Skinny Monkey Bars

DG0207

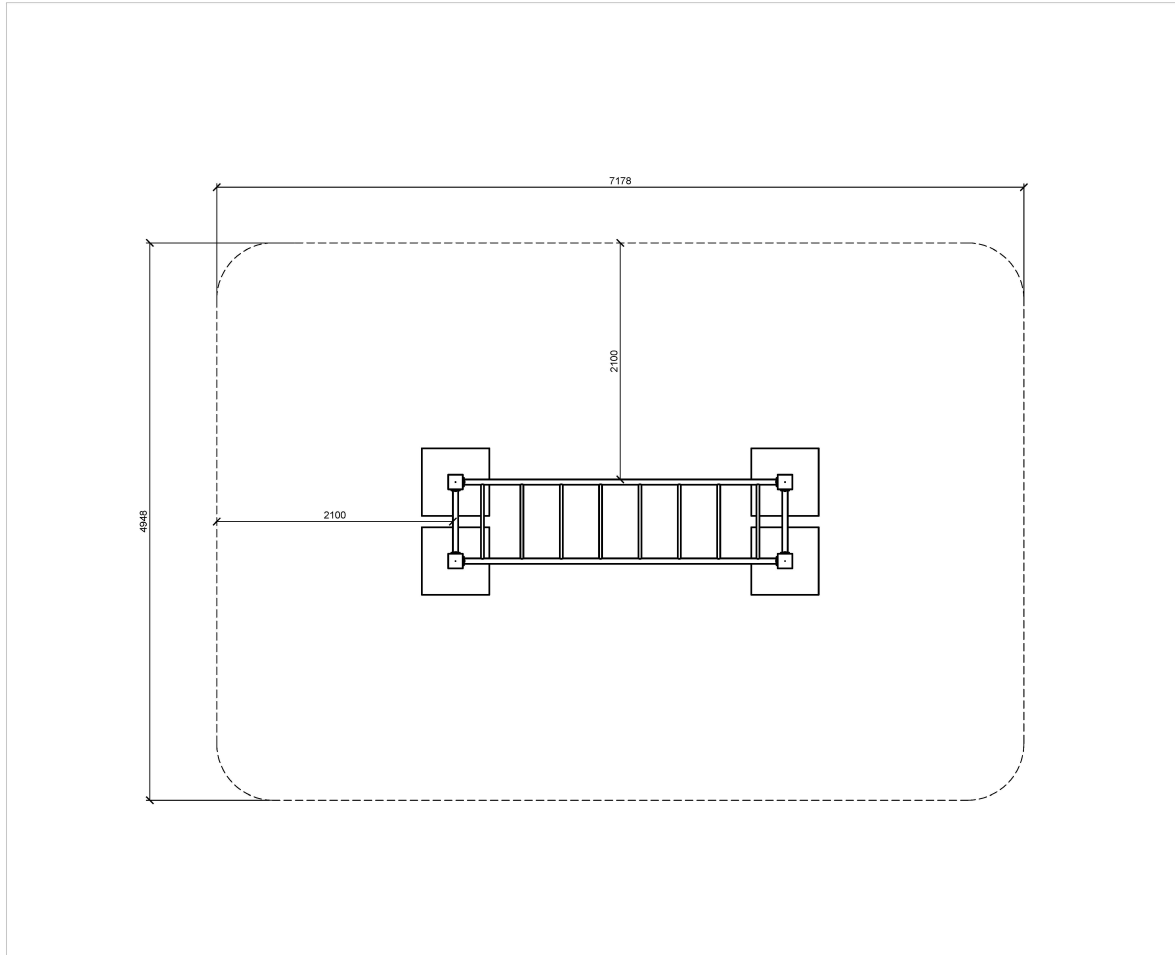


Specifications

Fallzone Area	35.4 m ²
Structure	Timber & steel
Max Fall Height	Approx. 2100 mm
Max Height	Approx. 3200 mm
Number Of Users	4-6
Total Space Required	35.4 m ²
Age Range	5+
Length Width Height	7178 mm x 4948 mm x 3200 mm

Skinny Monkey Bars

DG0207



NOTES

1. This drawing is copyright and may not be reproduced without the permission of Childscape.
2. This drawing is to be scaled.
3. All dimensions to be checked on site and any discrepancies reported to the designer before work commences.

REV	DESCRIPTION	BY	DATE

P - PRELIMINARY T - TENDER
C - CONSTRUCTION

PROJECT

TITLE
**SKINNY MONKEY BARS
DG0207**

CLIENT


D6 Play
 Child Play
 18/2001/18A RDG
 Stone Island Rd
 Etnah | info@d6play.com.au
 08 9438 0000

DRWN	CHKD	SIZE	SCALE	DATE
GT	DH	A3	AS NOTED	

PRELIMINARY

PROJECT	WORKING	REV
A01		P1

