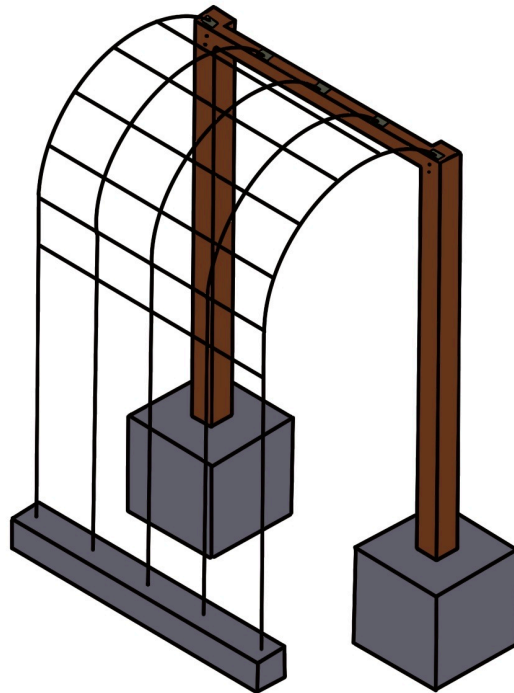


Arbor with Misters

DG0339

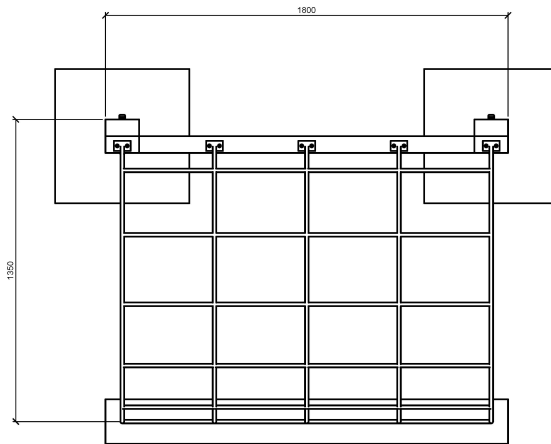


Specifications

Fallzone Area	N/A
Structure	Timber & steel
Max Fall Height	N/A
Max Height	Approx. 2732mm
Number Of Users	N/A
Total Space Required	2.4m ²
Age Range	All ages

Arbor with Misters

DG0339



- NOTES
1. This drawing is copyright and may not be reproduced without the permission of CH2Chappas
 2. This drawing is to be scaled
 3. All dimensions to be checked on site and any discrepancies reported to the designer before work commences

REV	DESCRIPTION	BY	DATE

P - PRELIMINARY
S - CONSTRUCTION

T - TENDER

PROJECT

TITLE
**ARBOR WITH MISTERS
DG0339**

CLIENT
**



DRAWN BY PROJECT CHECKS DATE
GT DH / AS AS NOTED

STATUS
PRELIMINARY

PROJECT	DRAWING	REV
A01		P1

